

128G双面铜版纸，骑马钉印刷，英文在前，
中文在后，单页尺寸105*148.5mm
料号：6.1.01016.020.01

High&Low Beam Auxiliary Lights User Manual

Model: L16



Please read the user manual and relevant after-sales service terms carefully before use. Wrong installation and use will damage the product or have impact on riding and result in the loss of related free warranty services.



Scan the QR code to watch the intallation video

Packing List

① 2 pcs Light



② 4 pcs M4 × 10
(Pre-assembled on
lights body ring clamps)



③ 2 pcs Clamp



④ 4 pcs M6 × 16
(Pre-assembled
on clamp)



⑦ 4 pcs 1inch/25mm
Clamp Bush



⑧ 4 pcs 22mm
Clamp Bush



⑤ 1 set Cable



⑥ 10 pcs 150×3.6mm Cable Tie



⑨ 1 pair Glove



Accessories List

⑩ 2 pcs M8 × 20



⑪ 2 pcs M8 Gasket



⑫ 1 pc 3mm Hex Wrench



⑬ 1 pc 5mm Hex wrench



⑭ 1 pc 6mm Hex Wrench



⑮ 1 pc Switch Fixing
Rubber Ring

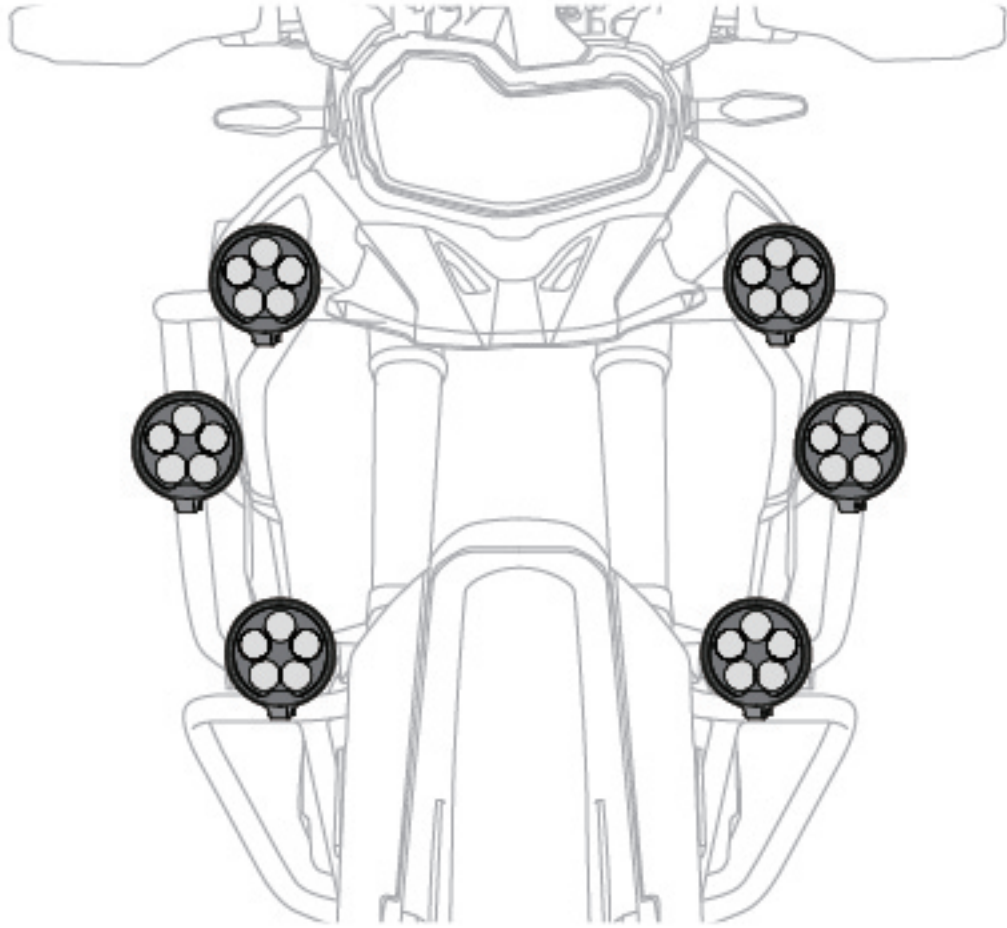


⑯ 1 pc Screw Glue



Installation Diagram

I . Installation Position (Please Install it on crash bar)



II . Installation Way



Installation way - I



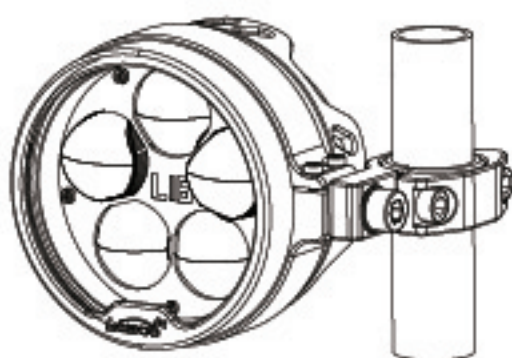
Installation way - II



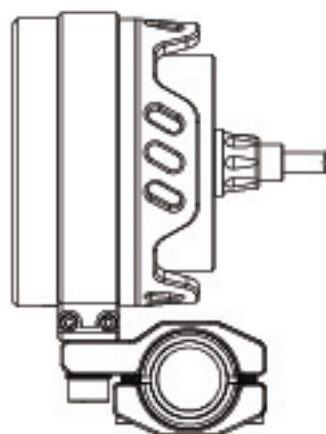
Installation way - III



Installation way - IV



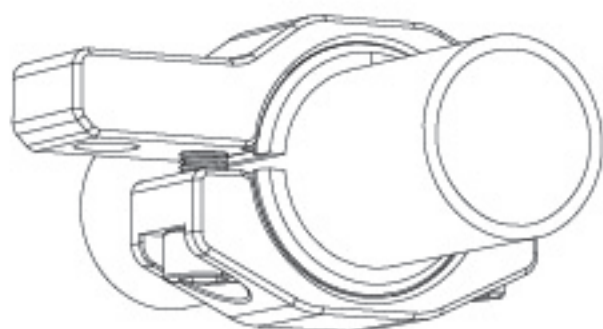
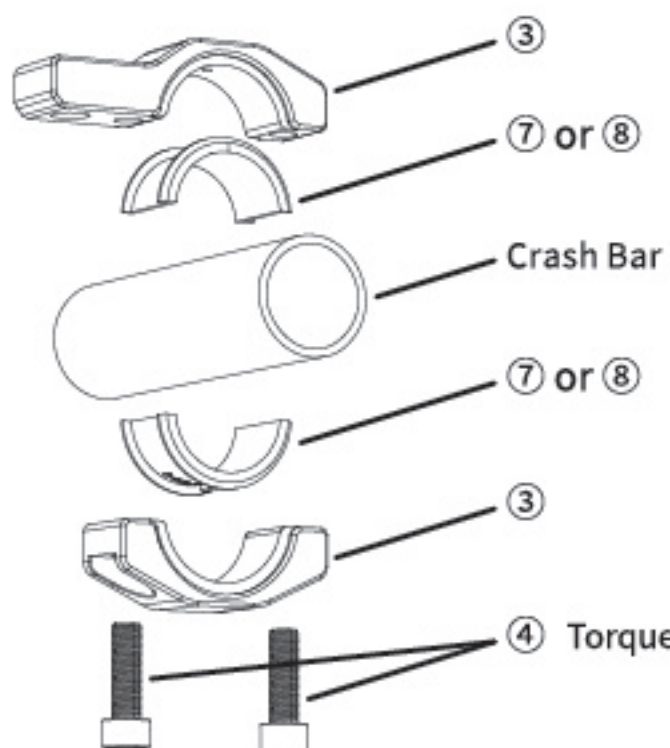
Installation way - V



Installation way - VI

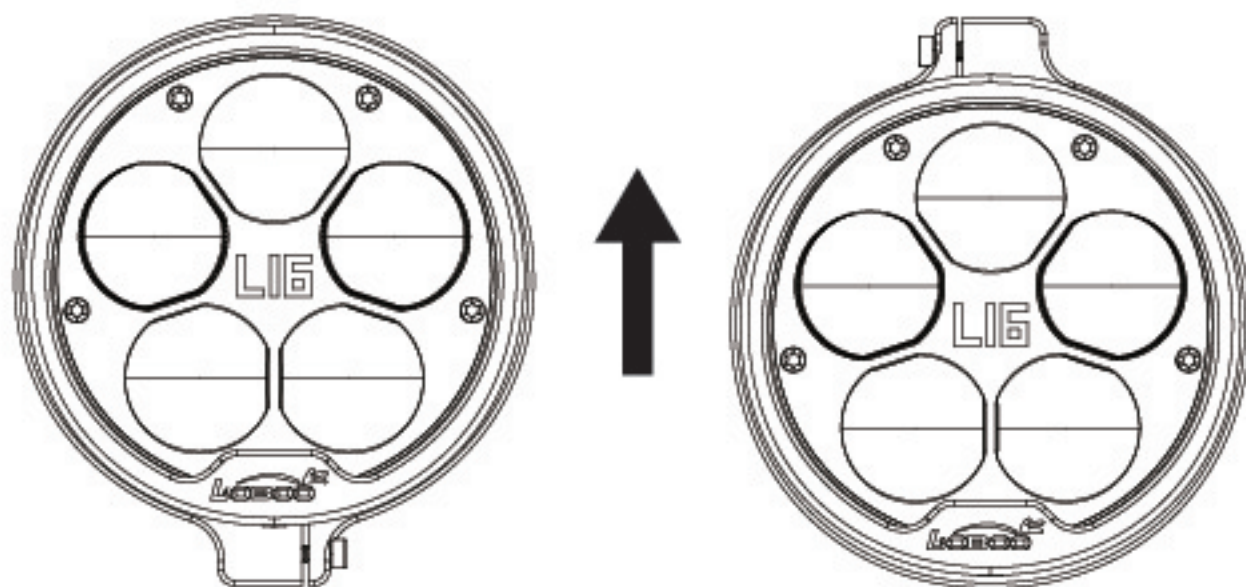
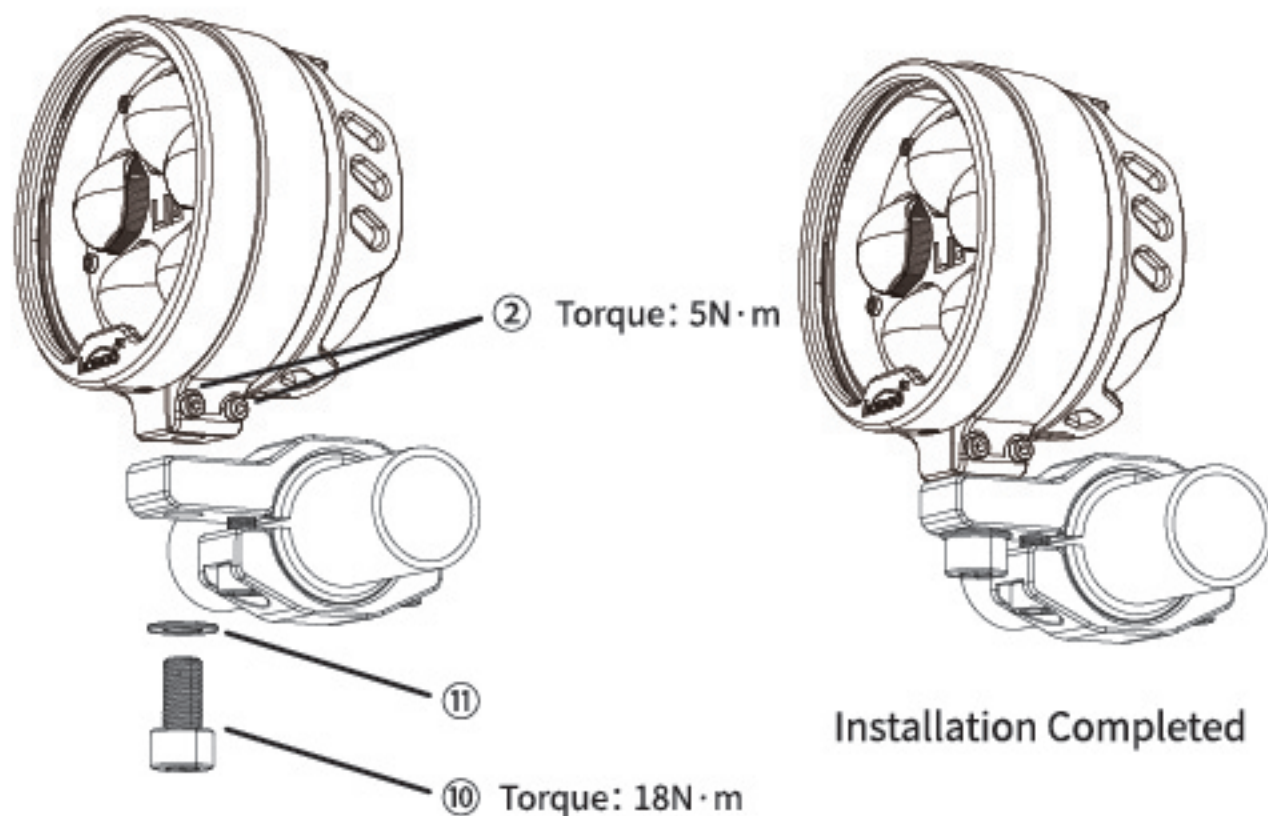
III. Fixing The Lights

1. Clamp assembly and installation. (Please choose the clamp bush according to the diameter of the crash bar, 28mm bar needn't bush.)



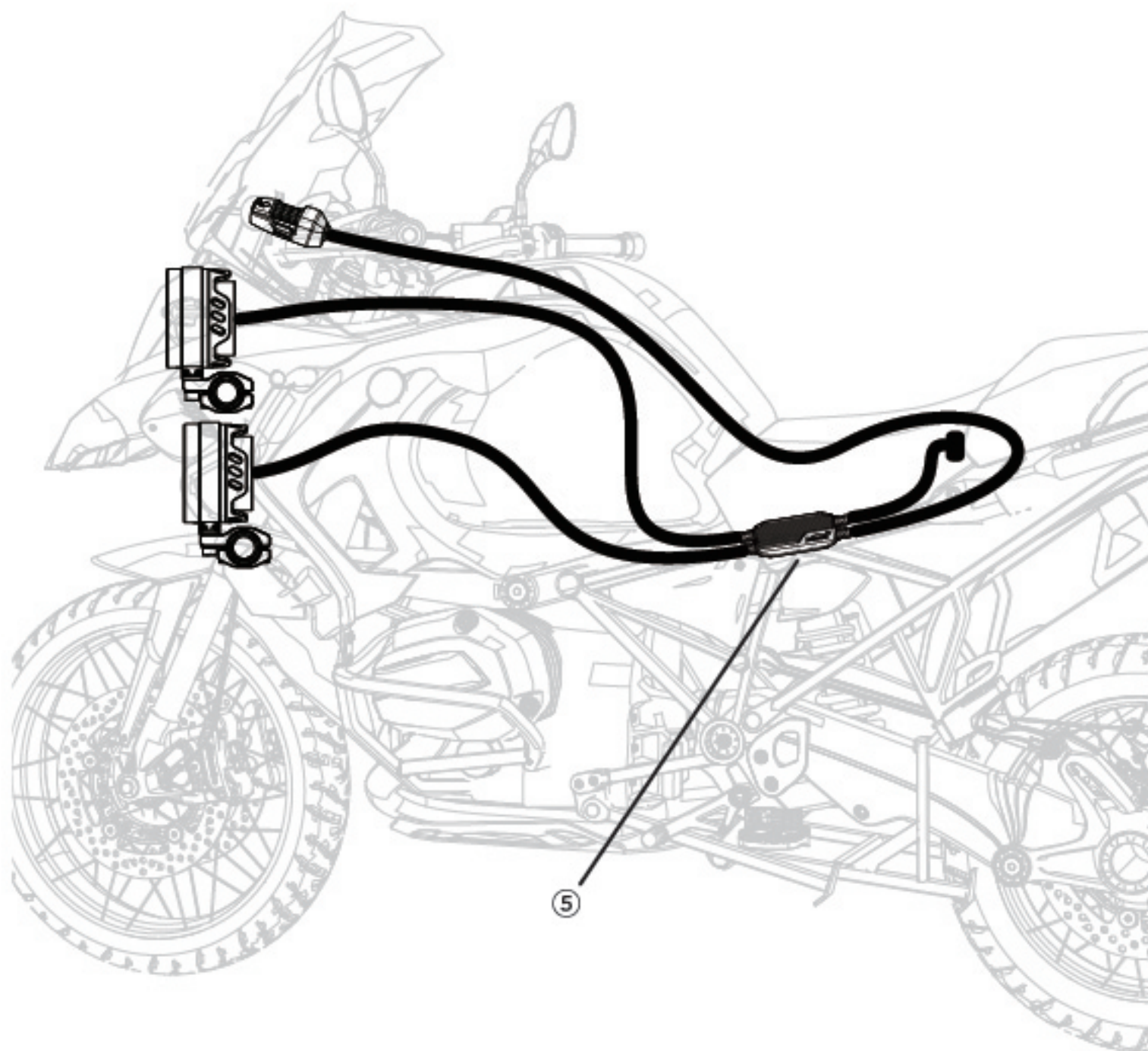
Installation Completed

2. Installation of lights body (Note: Please apply screw glue to the thread before installing, don't tighten the screws completely first, after adjust the angle of the lights, tighten the screws according to the torque requirement.)



Note: In order to ensure the normal illumination of high and low beam, please loosen the screw 2, rotate the lamp body, keep the LOGO above the vertical direction with the ground, and tighten it according to the torque requirement.

IV. Wiring (note: please use cable ties to secure the wires, be sure to leave extra moving length on the wires.)



V. Connection



1. Positive wire connect to battery positive, negative connect to battery negative.



2. Find the ACC cable and connect it.

Method 1

Use the multimeter to find the fuse: turn on the ACC switch, open the fuse box, the multimeter adjusted to the DC voltage gear, the negative probe to the negative terminal of the battery, the positive probe to measure the fuse, if the voltage shows 12-15V, and the voltage becomes 0V after turn off the ACC switch, this fuse can be connected to the ACC cable



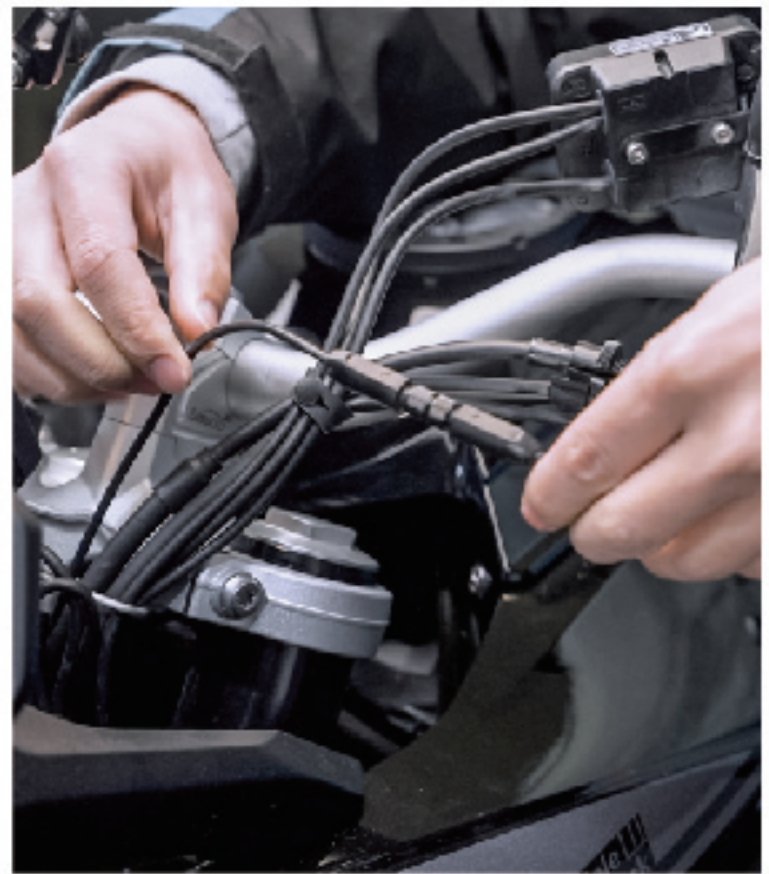
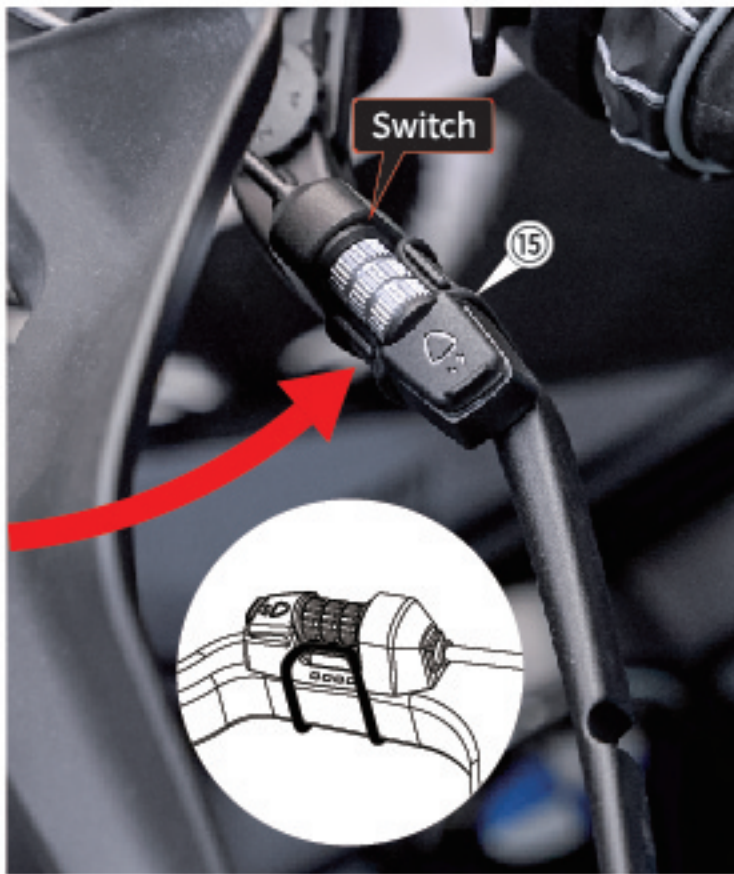
Method 2

Use a multimeter to find the ACC cable connector reserved in the vehicle: turn on the ACC switch, set the multimeter to DC voltage, connect the negative probe to the negative terminal of the battery, and the positive probe to measure the connector reserved in the vehicle. If the voltage shows 12-15V, and turns off the ACC switch and then the voltage changes to 0V, then this interface is the ACC connector.



Scan the QR code to watch the video 'How to find the ACC port'

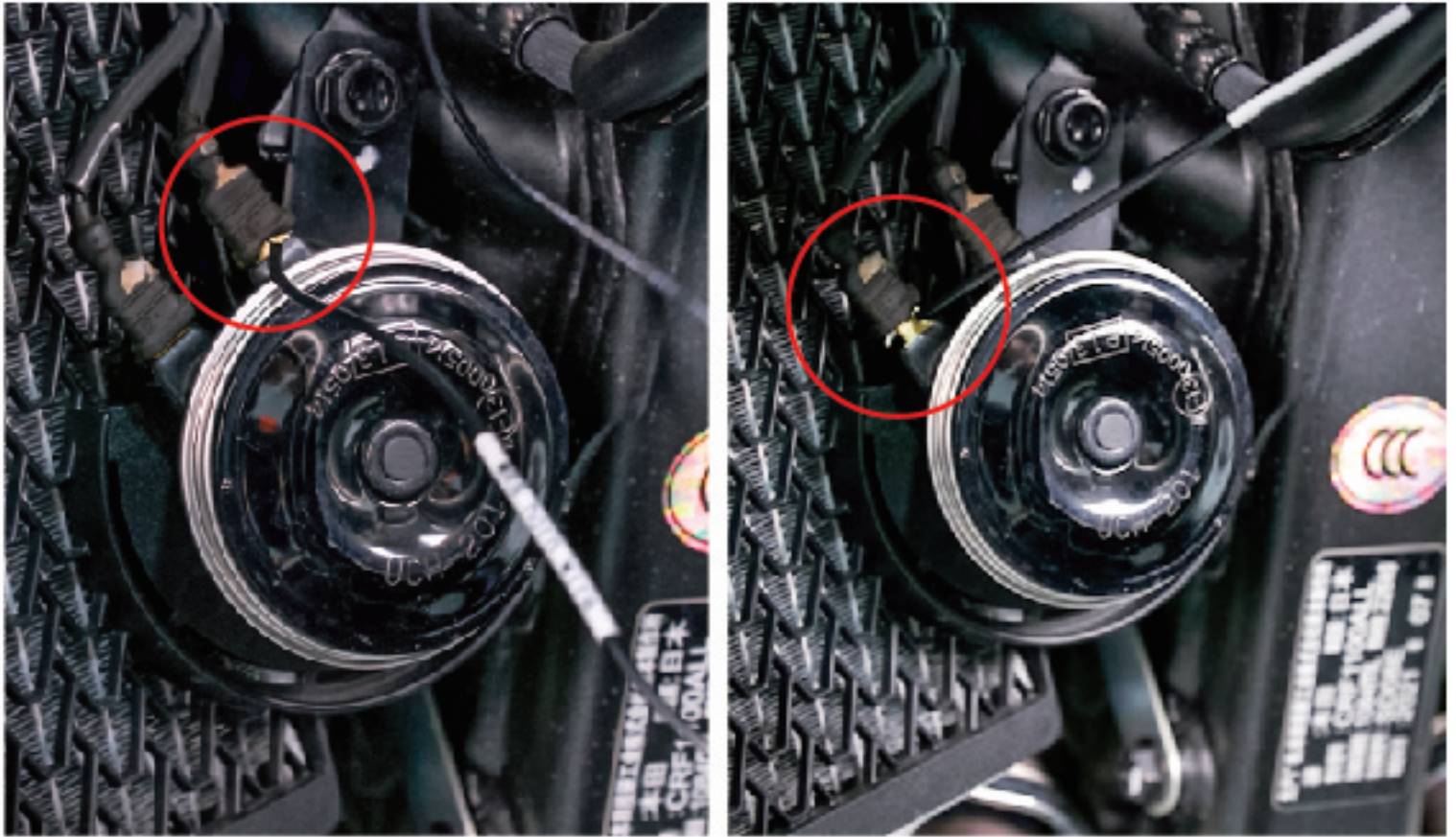
3. Fixing the switch. (Must leave extra moving length on the wires.)



4. Connect the lights. (Tighten the nut after inserting the connector.)



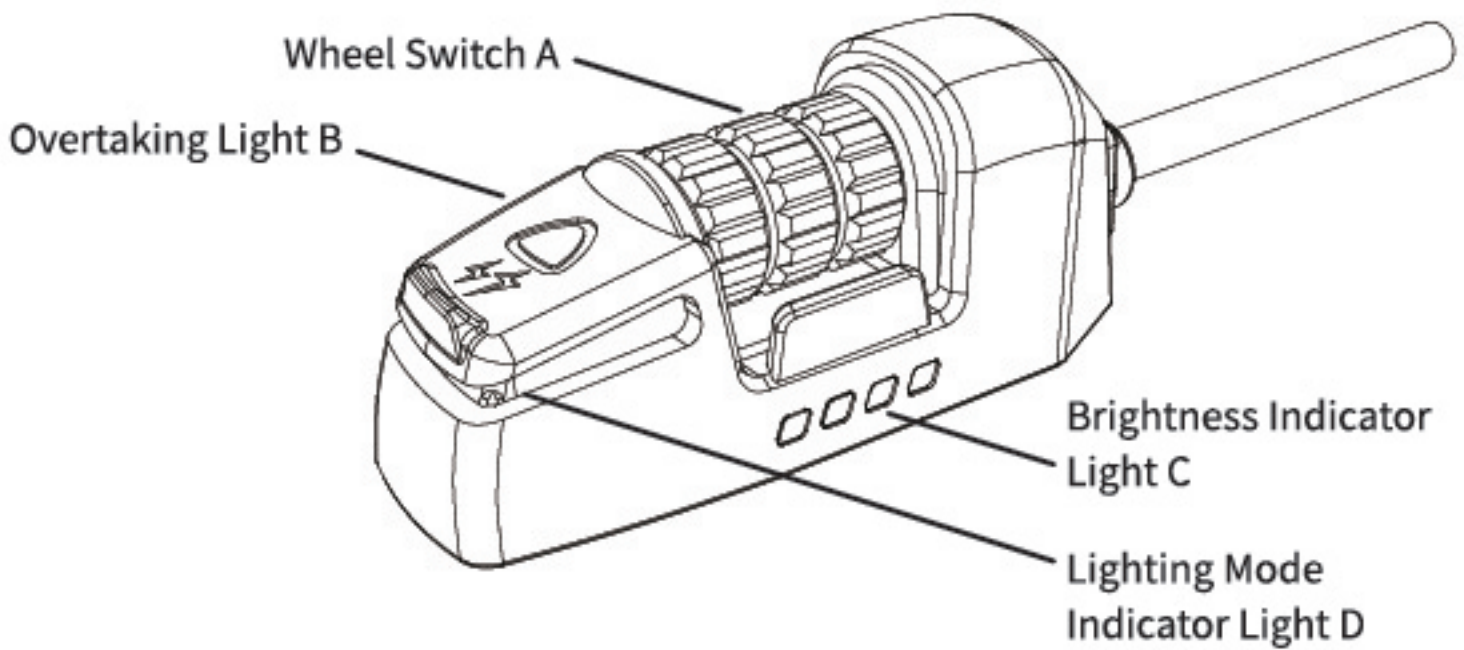
5. Connect the horn cable: Connect the horn cable to any horn terminal, turn on the ACC switch and press the horn button for more than 0.2 seconds, if the warning light mode is not activated synchronously, please turn off the ACC switch and connect the horn cable to the other side of the horn cable terminal.



6. Adjust the light angle according to your own needs and tighten all screws according to the torque requirements. (Note: Avoid lighting angle at too high to avoid interfering with the safety of oncoming vehicles)

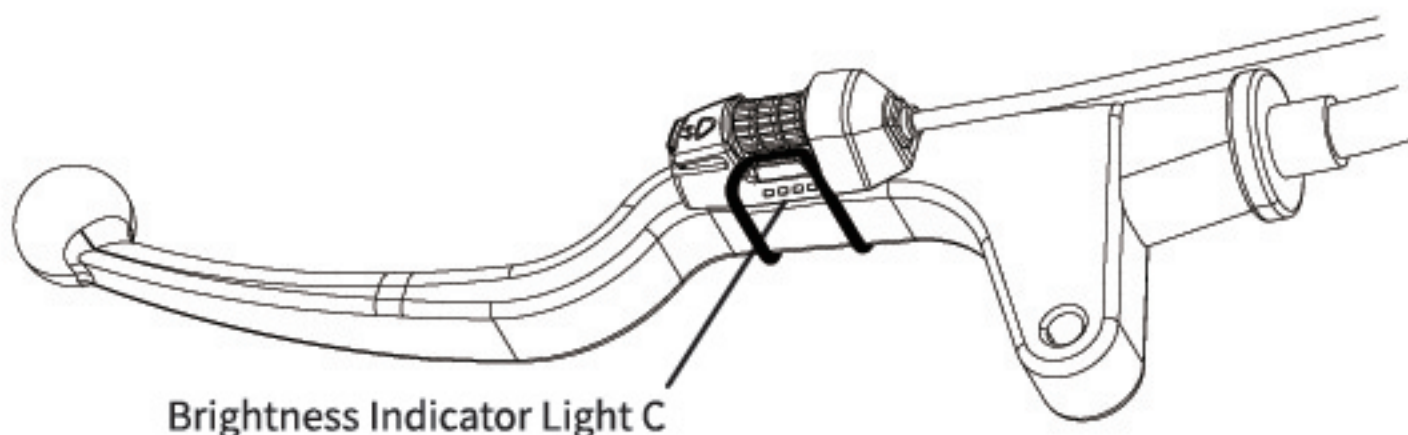


Usage Diagram



1. Turn on the ACC switch to the standby mode, D orange light flashes slowly, click A to enter low beam mode, D orange light is always on, click A again to enter high and low beam mode, D blue light is always on, click A to cycle. When the light is always on, scroll A to enter eight levels of brightness adjustment. Scroll A forward to reduce the brightness. Press and scroll A at the same time to enter color temperature adjustment. Roll the dial forward to change from white light to yellow light, and roll the dial backward to change from yellow light to white light. Press and hold A for 1.5 seconds to enter standby mode. Turn off the key (ACC is powered off) and shut down the device. D light goes out.

Note: The switch is installed on the clutch lever with C facing the rider's side (as shown in the installation diagram). The white light of the first indicator light flashes slowly in the first level, and the white light of the first indicator light stays on in the second level. The white light of the second indicator light flashes slowly at the third level, the second indicator light is always white at the fourth level, the third indicator light slowly flashes white at the fifth level, and the third indicator light is always white at the sixth level. The blue light of the fourth indicator light flashes slowly at the seventh level, and the blue light of the fourth indicator light stays on at the eighth level.



Brightness Indicator Light C

2. When the ACC is powered on (including standby mode), double-click A to enter the warning light mode, and the red light D flashes slowly. In the warning light mode, click A to switch between the three warning light modes and cycle. Double-click A again to exit the warning light mode and return to the previous state memory mode.
3. When the ACC is powered on (including standby mode), click B to operate the overtaking light, and the blue light D will light up.
4. When the controller horn wire is connected to the original car horn positive wire, press the horn switch for 0.2 seconds to activate the flash warning light mode when the ACC is powered on (including standby state). Release the horn switch to exit the warning light mode and return to the previous state. Memory patterns.

Parameter

Input Voltage	12-15V	
Maximum Power	168W (Low Beam Mode)	190W (High&Low Beam Mode)
Color Temperature	6000K (White Light)	3000K (Yellow Light)
Maximum Luminous	19,000 Lumens	
Waterproof And Dustproof	IP68	
Additional Function	Intelligent Temperature Control / Anti-reverse Connection / High Voltage Protection / Memory Function In Single Working State	
Warning Light Mode	<ul style="list-style-type: none"> ● Left And Right Alternately Quick Flash ● Left And Right Alternately Slow Flash 	<ul style="list-style-type: none"> ● Left And Right Flash At The Same Time ● Press Horn Flash

Notices

1. The installation of this LOBOO high&low beam auxiliary lights involves relevant professional knowledge and needs to be installed by a professional technician. If the product is damaged due to improper installation, the relevant free warranty service will be lost.
2. After the auxiliary lights continues to work for a period of time when parking, a high temperature will trigger the intelligent temperature control function, and the light brightness will automatically weaken. This is a normal phenomenon. The light brightness will automatically restore after the temperature drops to normal. Please follow the instructions and install the light body and controller in a well-ventilated location. The intelligent temperature control protection will not be triggered during normal riding.
3. When the battery voltage is lower than 11.5V due to over load or vehicle failure, the light brightness will automatically reduce to 6 level of brightness. When the battery voltage recovers, it can be manually up level. If the battery voltage is still lower than the preset value, the brightness will It will drop back to 6 level again.
4. If there is dirt on the surface of the auxiliary light lens, please clean it in time. The dirt will seriously affect the brightness and heat dissipation. If not cleaned in time, it will cause irreversible damage to the lens. When cleaning the dirt, please turn off the auxiliary light and wait for the lights body to return to normal temperature before flushing with water. Wipe with a soft cloth (wet paper towel or glasses cloth). Do not use a high-pressure water gun to rinse directly. If necessary, please use neutral detergent. It is strictly forbidden for acid and alkaline liquids to come into contact with any parts of the auxiliary light.
5. When the auxiliary light is on, do not look directly into it to avoid damage to your eyes.
6. Please install the auxiliary light on the vehicle body or crash bar. It is strictly prohibited to install it on the lower part of the shock absorber or on the wheel accessories (parts that are not damped by the shock absorber).
7. The auxiliary lights body will generate high temperature during operation. Please do not touch it to avoid burns.
8. Please do not wrap the controller and do not place it near high temperature sources, such as engines, radiator tanks, etc. Please place it in a ventilated place to avoid affecting heat dissipation.
9. The auxiliary light can only be installed on fuel motorcycles with a battery voltage of 12-15V DC. Please do not use it beyond the range.
10. For safety reasons, please use lights in a civilized manner.

Warranty Card



Please read this after-sales service guarantee card carefully. If you cannot accept it, please contact the dealer for return and exchange in time. Installation and use means acceptance of this after-sales service term.

After-sales Service Terms

1. 1-year free warranty. Within 1 year from the date of sale of this product, if the main components (including the lights body and cable) have quality problems under normal installation and use, you can enjoy 1-year free replacement service.
2. Limited warranty: After the 1-year warranty expires, LOBOO will provide paid warranty services. The cost is based on the actual replacement material cost, and no additional labor costs will be charged.
3. These terms of service do not apply to the following situations: damage caused by natural disasters, accidental collision damage, man-made or accidental damage, contact with hazardous chemicals or other substances, improper installation and use, self-disassembly, self-modification, or destruction of factory-provided equipment. Cables, any product failure caused or caused by using the product with any third-party (non-LOBOO) component, no warranty card or inability to provide valid proof of purchase, etc.
4. Users need to be aware that this product is a modified part, and its quality and service life will be affected by different installation and use environments. Unless expressly provided by law, LOBOO will not be responsible for any direct, indirect, or special damage caused by the user's installation and use. , incidental, consequential loss or damage, as well as disassembly and assembly risks and expenses, etc., are not responsible for it, and are not restricted by other legal provisions.

Free warranty service does not include the following

1. No warranty card or cannot provide valid purchase proof.
2. Improper installation, use, man-made or accidental damage, self-disassembly, self-modification and repair, etc.

Return and Exchange Information

Platform ID: _____

Order Number: _____

Contact Name: _____

Contact Phone: _____

Return Address: _____

Description

Please keep this card properly and send it back with the product (copy is valid)

通用型摩托车远近光辅助灯 安装和使用说明书

型号: L16



*使用前请仔细阅读说明书及相关售后服务条款,错误的安装和使用方式会损坏本产品或对安全行车造成重大影响并失去相关的免费保修服务。



扫码观看安装
使用教程视频

配件清单

① 2个 灯体



② 4个 M4 × 10
(已预装在灯体环形卡箍)



③ 2个 卡箍



④ 4个 M6 × 16
(已预装在卡箍上)



⑦ 4个 1英寸/25mm
卡箍衬套



⑧ 4个 22mm卡箍衬套



⑤ 1套 线路总成



⑥ 10根 150×3.6mm扎线带



⑨ 1对 维修手套



配件包

⑩ 2个 M8 × 20



⑪ 2个 M8垫片



⑫ 1个 3mm内六角扳手



⑬ 1个 5mm内六角扳手



⑭ 1个 6mm内六角扳手



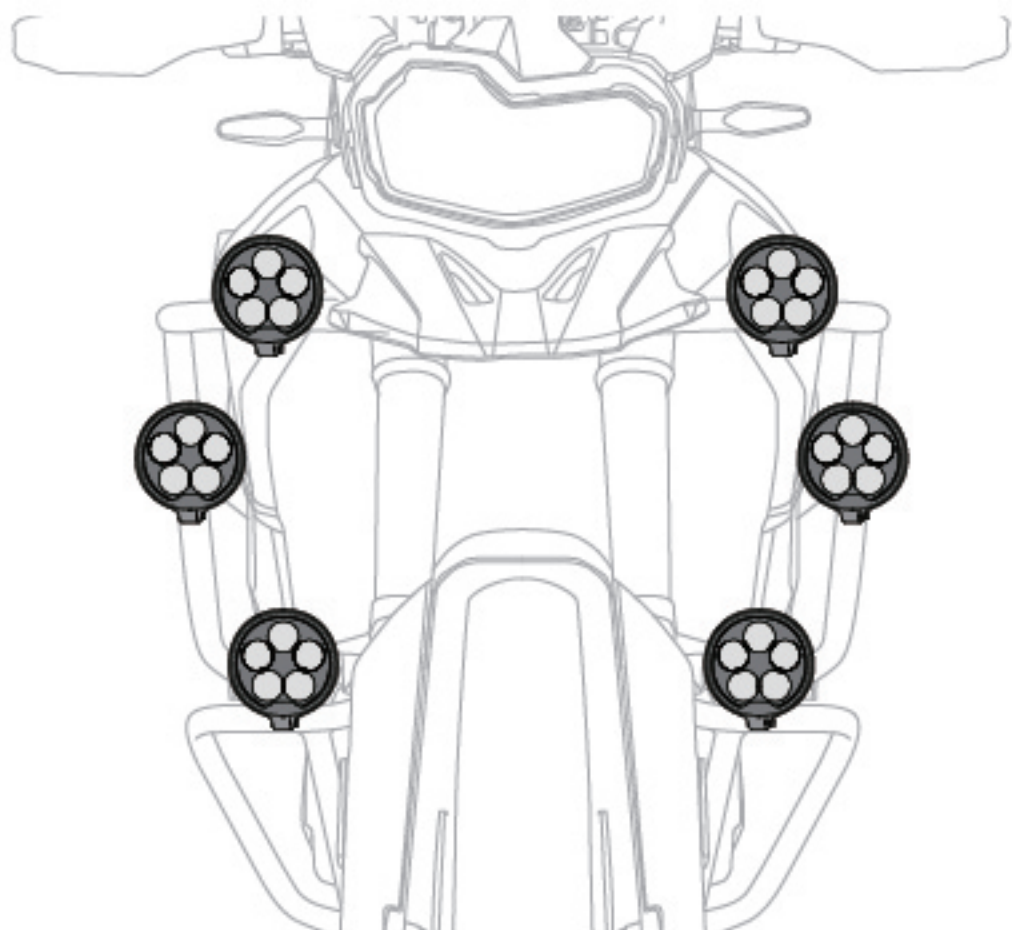
⑮ 1个 开关固定胶圈



⑯ 1个 螺丝胶



I. 选择安装位置(请安装于护杠上)



II. 安装方式



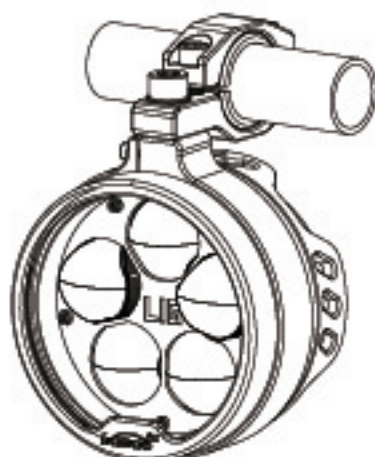
安装方式一



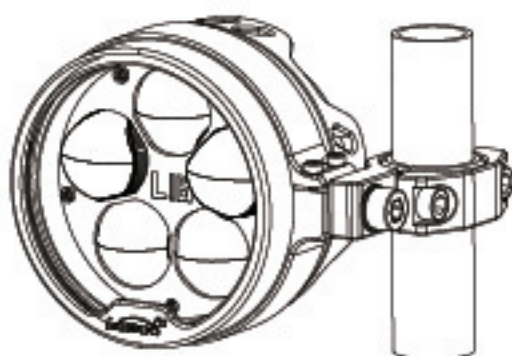
安装方式二



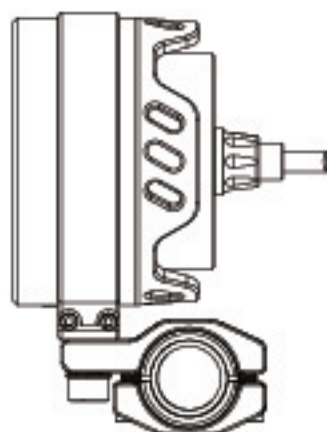
安装方式三



安装方式四



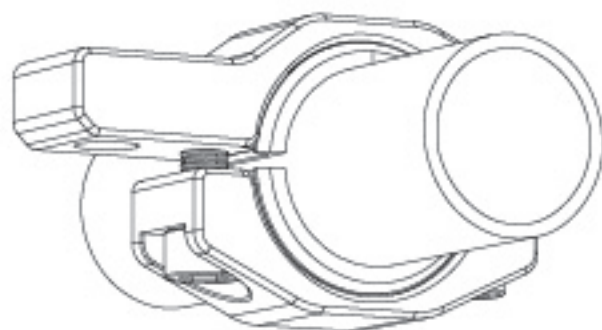
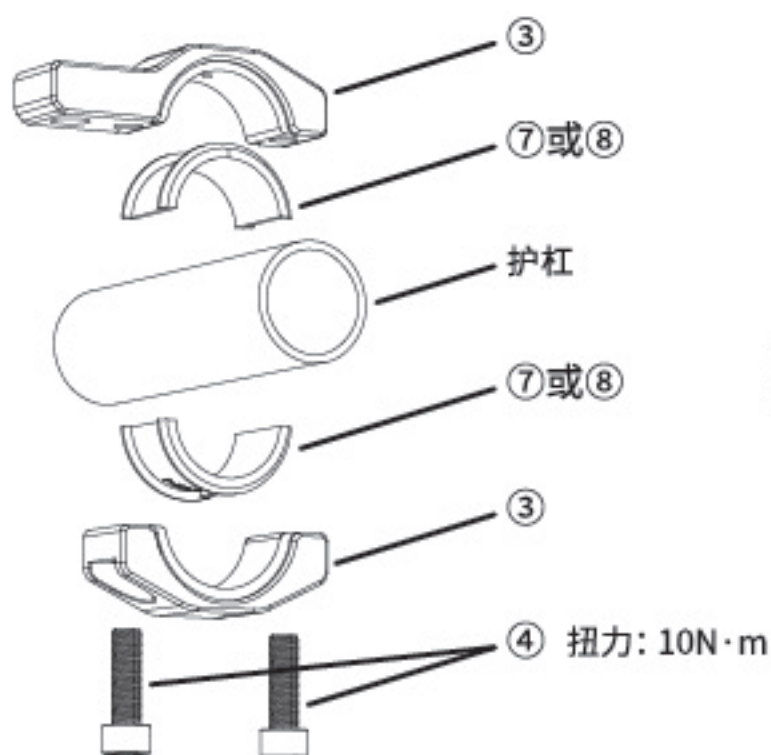
安装方式五



安装方式六

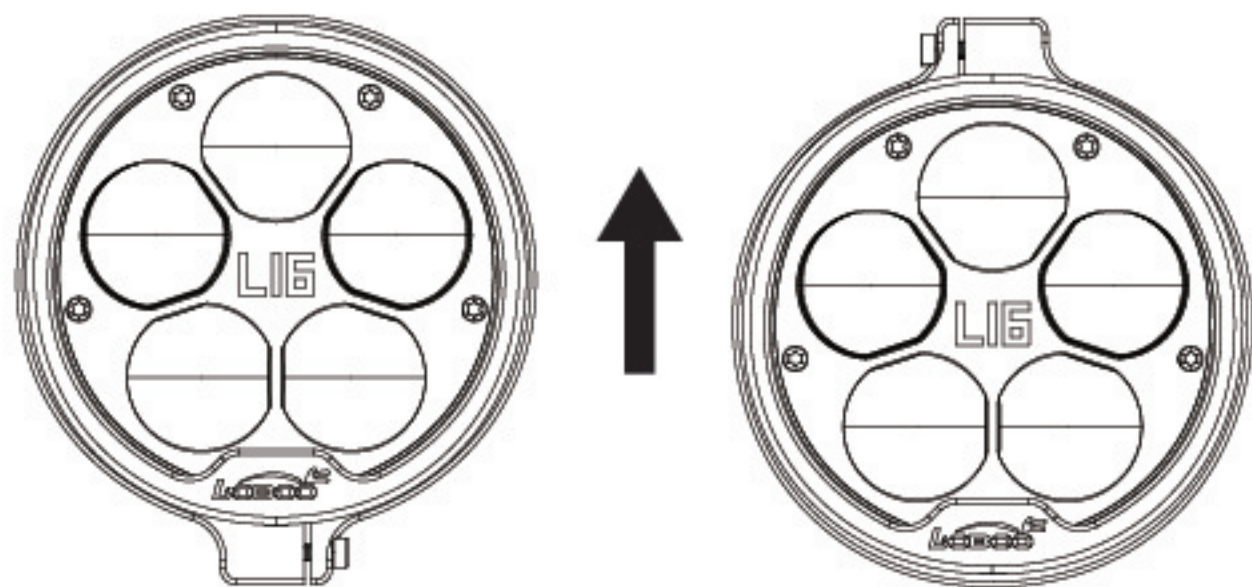
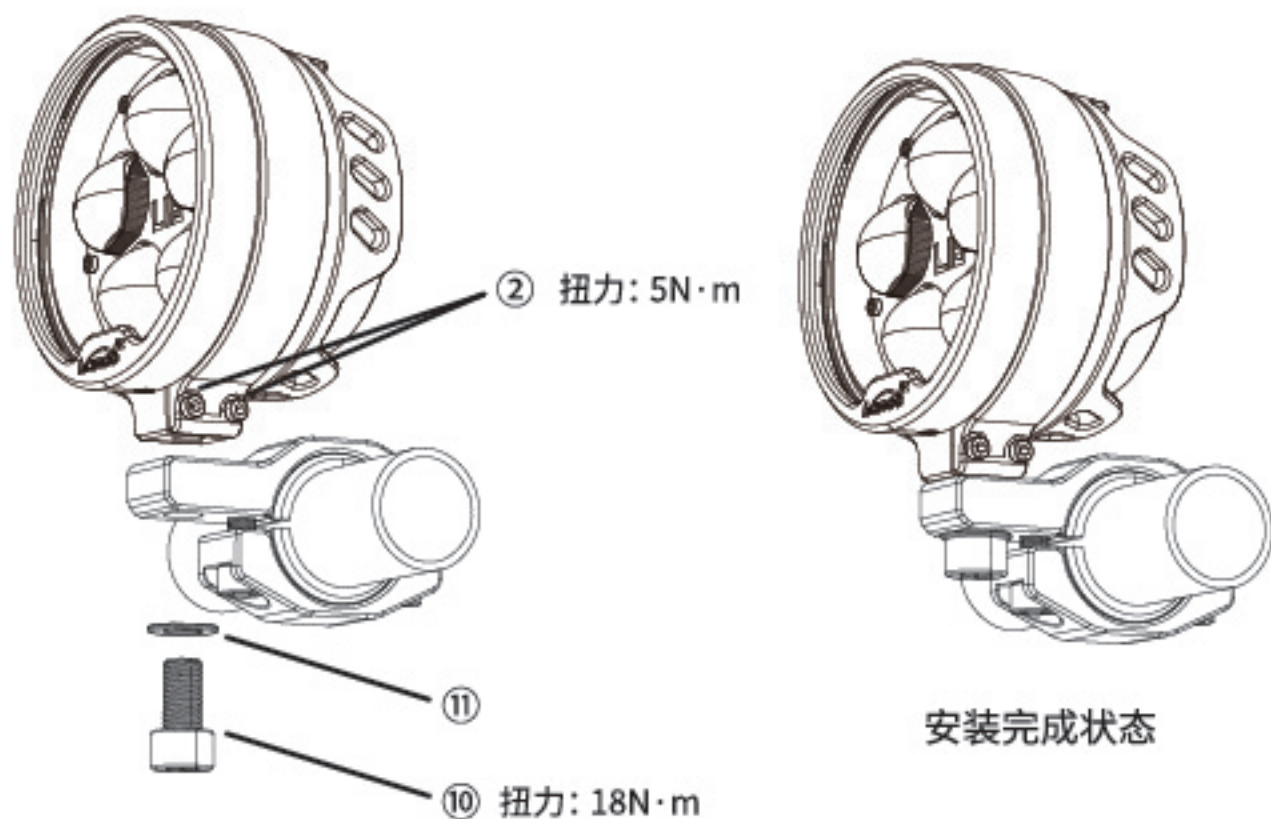
III. 安装灯体

1. 安装卡箍(根据护杠直径选择卡箍衬套,28mm护杠直径无需使用卡箍衬套。)



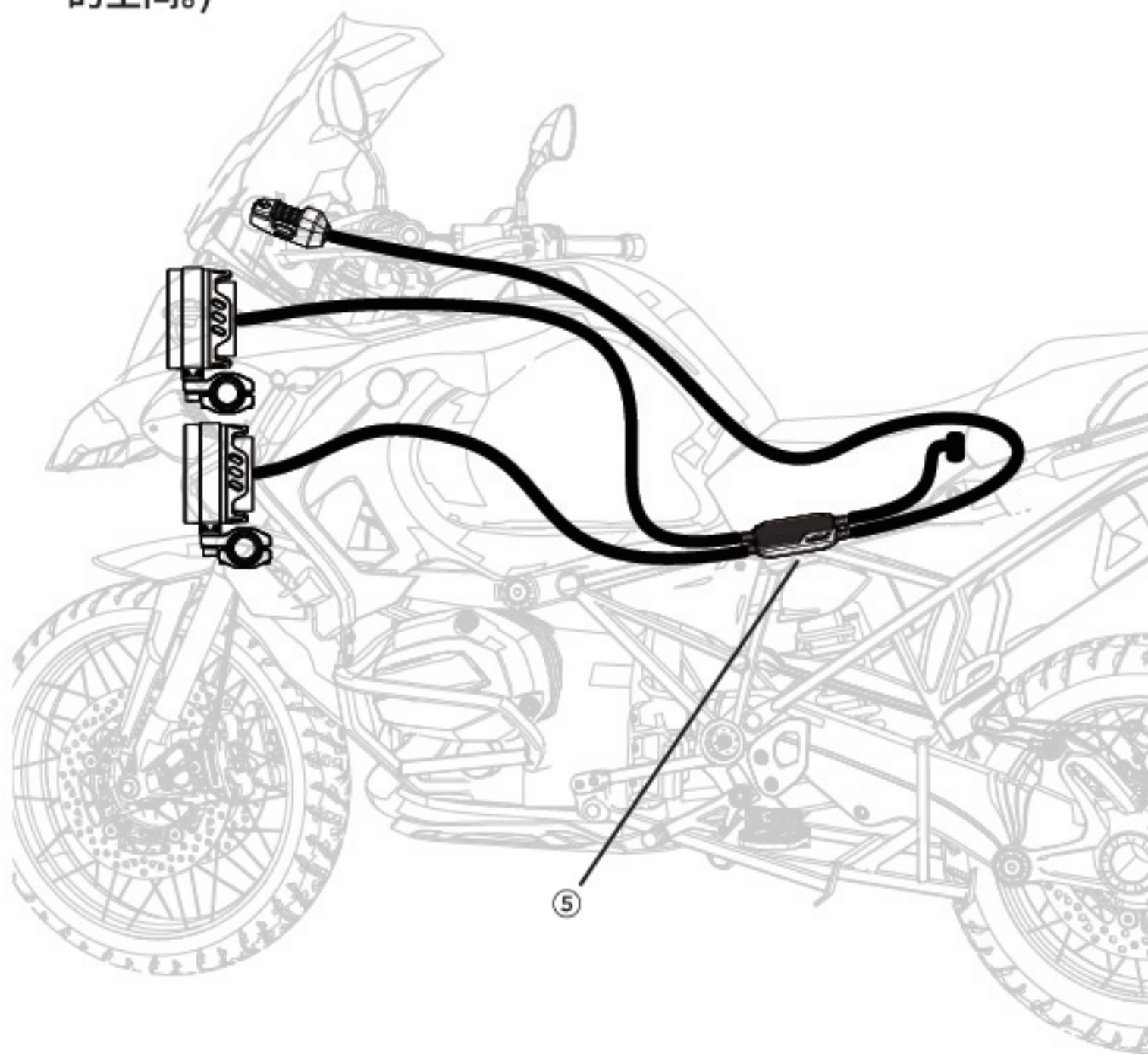
安装完成状态

2. 安装灯体 (注意: 安装时请在螺丝牙处涂螺丝胶, 螺丝不要完全紧固, 待调整好灯光角度后, 再按扭力要求紧固。)



注意: 为了保证远近光照明正常, 请拧松螺丝②, 旋转灯体, 保持LOGO在与地面垂直方向的上方, 并按扭力要求紧固。

IV. 走线(注意: 请用扎线带将电线固定, 一定要在电线上留出一点松驰的空间。)



V. 接线



摩托车原车电池

1. 正极线接电池正极, 负极线接电池负极。



2. 找到ACC并连接。

方法一

用万用表查找保险丝: 打开摩托车电门, 打开保险盒, 万用表调到直流电压档位, 负极探针接到电池负极, 正极探针测保险丝, 如果电压显示12-15V, 关掉摩托车电门后电压变为0V, 则此保险丝可接ACC线。



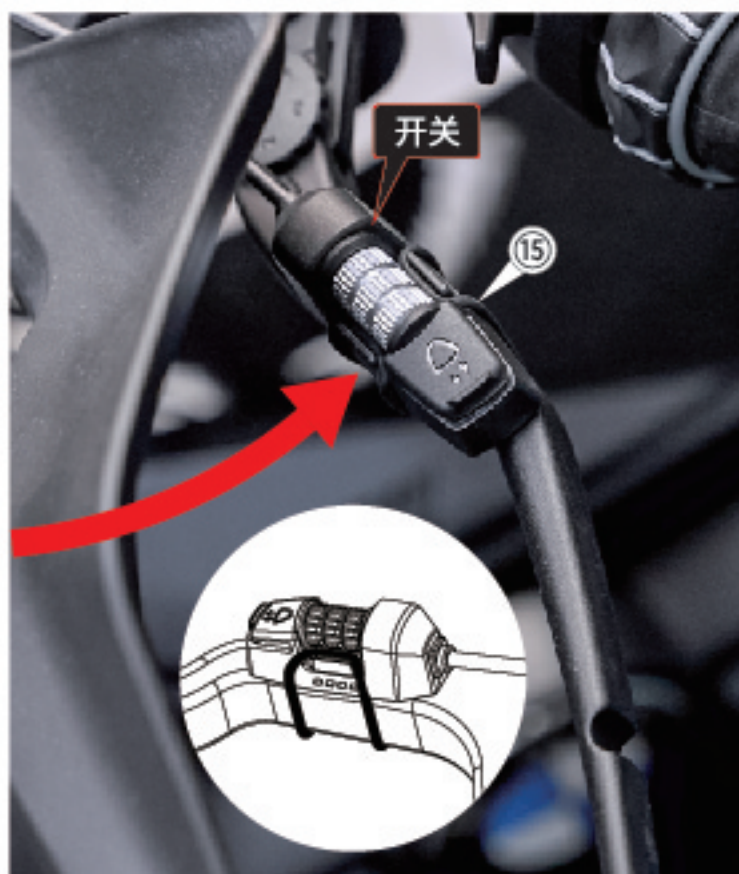
方法二

用万用表查找车上预留的ACC线接头:打开摩托车电门,万用表调到直流电压档位,负极探针接到电池负极,正极探针测车上预留的接头,如果电压显示12-15V,关掉摩托车电门后电压变为0V,则此接口为ACC线接头。



扫描上方二维码,观看查找摩托车ACC端口教程。

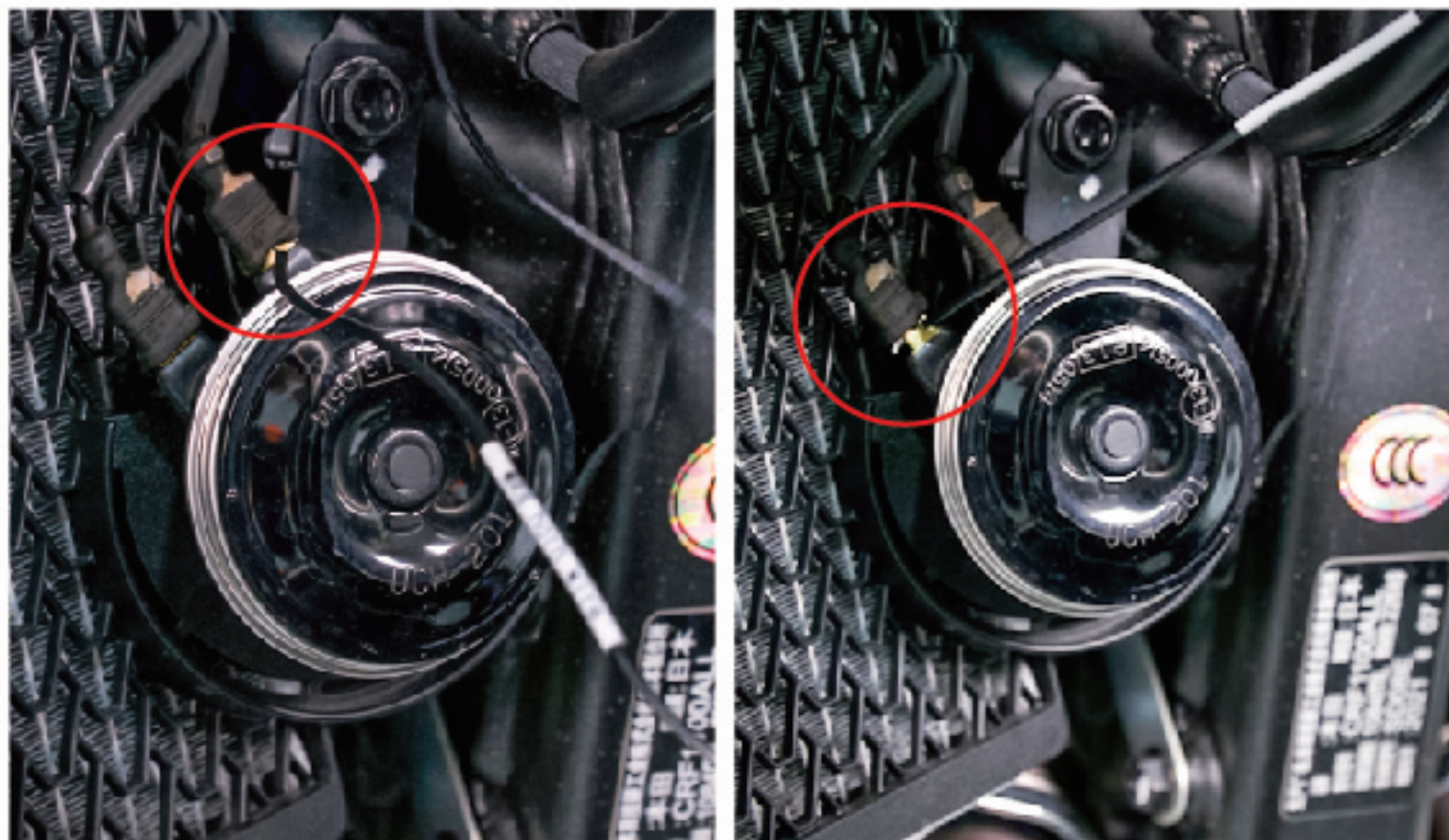
3. 安装开关。(注意预留开关线活动空间。)



4. 连接灯头。(接头插紧后, 请将螺母拧紧。)

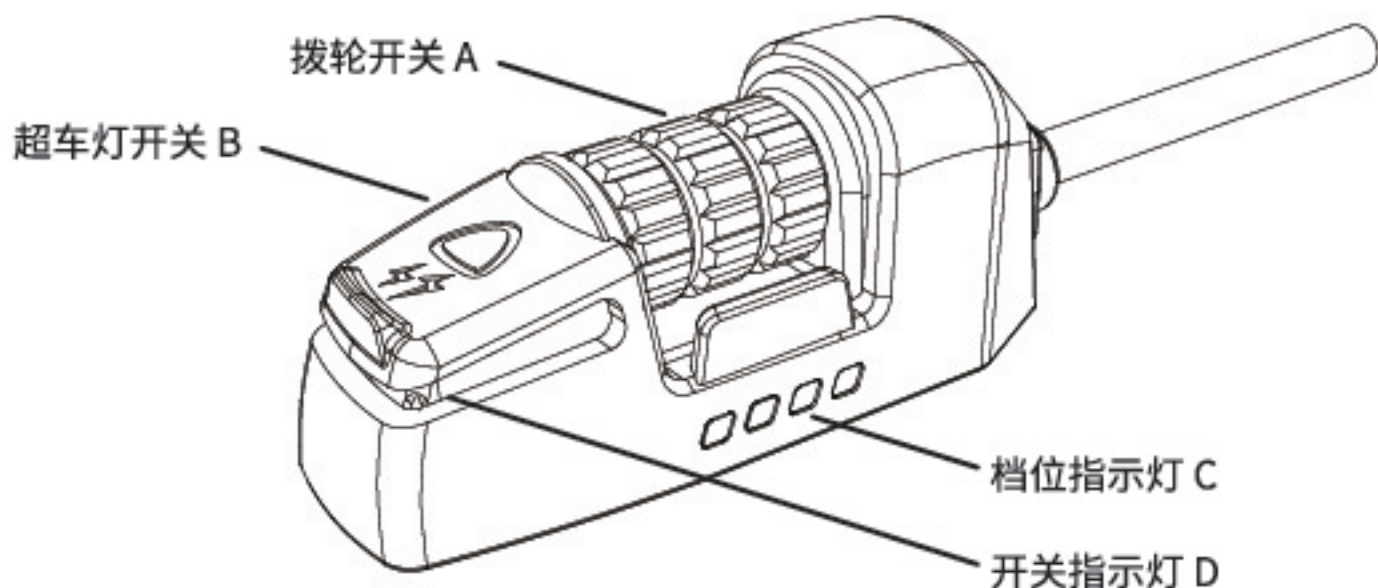


5. 接喇叭线：喇叭线接任意一个喇叭接线柱，打开钥匙门按压喇叭按键0.2秒以上，如果警示灯模式不同步启动，请关闭钥匙门，把喇叭线接到另一侧喇叭接线柱即可。



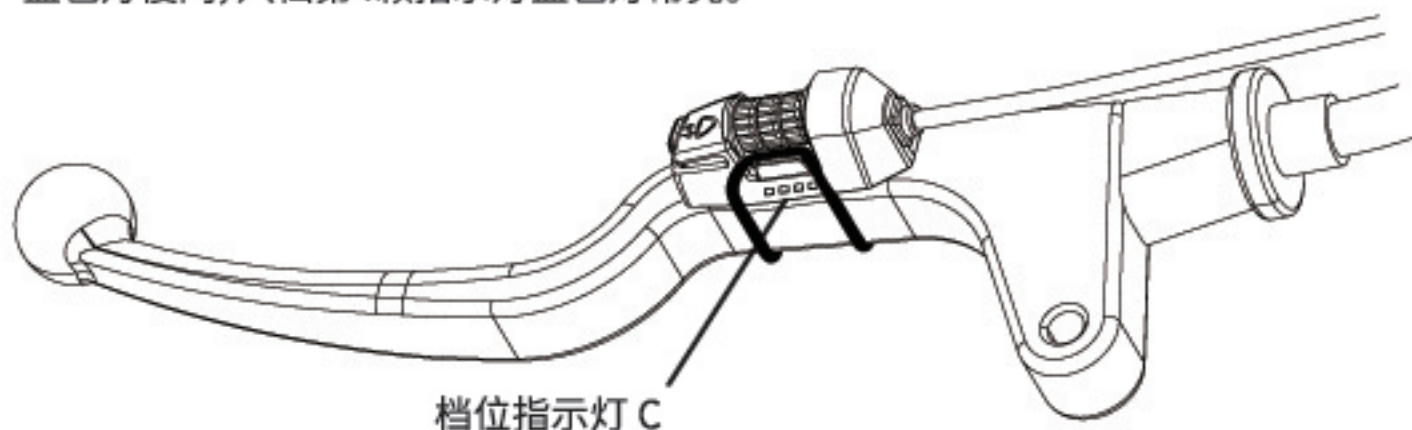
6. 根据自己的需要调整灯光角度，按扭力要求紧固所有螺丝。（注意：避免灯光照射角度过高，以免干扰对向行车安全。）





1. 打开钥匙门(ACC通电)为待机状态, D橙色灯慢闪, 单击A进入近光灯模式, D橙色灯常亮, 再单击A进入远近光灯模式, D蓝色灯常亮, 单击A依次循环。灯光常亮时滚动A可进入八档亮度调节, 向前滚动A调高亮度, 向后滚动A降低亮度。按压并同时滚动A可进入色温调节, 向前滚动拨轮由白光变为黄光, 向后滚动拨轮由黄光变为白光。长按A 1.5秒进入待机模式, 关闭钥匙门(ACC断电)关机, D灯光熄灭。

注意: 开关安装于离合手把且C朝向驾驶员一侧(如安装图示), 一档第1颗指示灯白色灯慢闪, 二档第1颗指示灯白色灯常亮, 三档第2颗指示灯白色灯慢闪, 四档第2颗指示灯白色灯常亮, 五档第3颗指示灯白色灯慢闪, 六档第3颗指示灯白色灯常亮, 七档第4颗指示灯蓝色灯慢闪, 八档第4颗指示灯蓝色灯常亮。



2. ACC通电状态下(含待机状态)双击A进入警示灯模式, D红色灯慢闪, 警示灯模式下单击A切换三种警示灯模式并循环, 再次双击A退出警示灯模式并返回之前记忆的模式。
3. ACC通电状态下(含待机状态)单击B可操作超车灯, D蓝色灯亮。
4. 当控制器喇叭线与原车喇叭正极线接通时, ACC通电状态下(含待机状态)按喇叭开关0.2秒可启动快闪警示灯模式, 松开喇叭开关退出警示灯模式并返回之前记忆的模式。

产品参数

输入电压	12-15V	
最大功率	168W (近光照明模式)	190W (远近光照明模式)
色温	6000K (白光)	3000K (黄光)
最大光通量	19000流明	
防尘防水级别	IP68	
附加功能	智能温控保护、防反接保护、高压保护、单次工作状态下的记忆功能	
警示灯模式	● 左右分时闪烁 ● 左右同时闪烁 ● 左右轮闪 ● 按喇叭左右同时闪烁	

注意事项

1. 此款LOBOO通用型摩托车远近光辅助灯的安装涉及相关专业知**识**,需由专业技师安装,因安装不当导致产品损坏将失去相关的免费保修服务。
2. 辅助灯灯体在停车时持续工作一段时间后,会产生高温触发智能温控保护,灯光亮度会自动减弱,此为正常现象,温度降低到正常温度后灯光亮度会自动恢复。请按照说明书要求,将灯体和控制器安装在通风良好的位置,正常骑行中不会触发智能温控保护。
3. 当因负载过高或车辆故障导致电瓶电压低于11.5V时,灯光亮度会自动降为6档亮度,当电瓶电压回升后可手动升档,如电瓶电压仍然低于预设值,亮度将会再次降回6档。
4. 辅助灯透镜表面如有污垢请及时清洁,污垢会严重影响亮度和散热,如未及时清洁会对透镜造成不可逆的损伤,清洁污垢时请关闭辅助灯并等待灯体恢复常温后用水冲洗,用较柔软的布擦拭(湿纸巾或眼镜布),请勿使用高压水枪直接冲洗,如有必要请使用中性清洁剂,严禁酸碱性液体接触辅助灯的任何部件。
5. 当辅助灯点亮时,切勿眼睛直视,以免对眼睛造成伤害。
6. 请将辅助灯安装在车身或防护杠上,严禁安装在减震器下部或车轮附件上(未经减震器减震的部件)。
7. 辅助灯灯体在工作中会产生高温,请勿触摸以防烫伤。
8. 控制器请勿包裹,请勿靠近高温源,如发动机、散热水箱等,请安置在通风处,以防影响散热。
9. 辅助灯只限安装在电池电压为12-15V直流电压的燃油摩托车上,请勿超范围使用。
10. 安全起见,请文明使用灯光。

售后服务保障卡



请仔细阅读本售后服务保障卡，如不能接受，请及时联系经销商退换货，安装并使用即表示接受此售后服务条款。

售后服务条款

1. 1年免费保修期，此款产品自售出之日起1年内，主要部件(包括灯体和驱动线路)在正常安装和使用情况下出现质量问题，可享受1年免费换新服务。

2. 有限保修：1年保修时间到期后，LOBOO将提供有偿保修服务，费用以实际更换材料费用为准，不另收取人工费用。

3. 本服务条款不适用于以下情况：自然灾害损坏、事故碰撞损坏、人为或意外损坏、接触不良或危险化学品或其他物质、安装和使用不当、自行拆解、自行改装、破坏出厂提供的线缆、将产品与任何第三方（非LOBOO）组件一起使用而导致或引起的任何产品故障、无保修卡或不能提供有效购买凭证等。

4. 用户需意识到此款产品为改装部品，其质量和使用寿命会受安装和使用环境不同而受影响，除法律明确规定外，LOBOO对用户安装和使用过程中产生的直接、间接、特殊、偶然、必然的损失或损伤以及拆装风险和费用等，均不承担责任，而且不受其他法律条文的限制。

免费保修服务不包括以下内容

1. 无保修卡或不能提供有效购买凭证。
2. 安装、使用不当、人为或意外损坏、自行拆解、自行改装和维修等。

退换货信息

平台ID: _____ 订单编号: _____

联系人姓名: _____ 联系人电话: _____

回寄地址: _____

售后事项

请妥善保管好此卡并与产品一起寄回（复印件有效）

