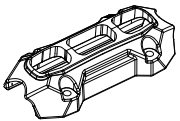
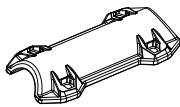
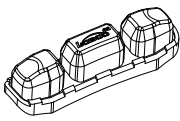
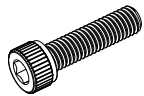


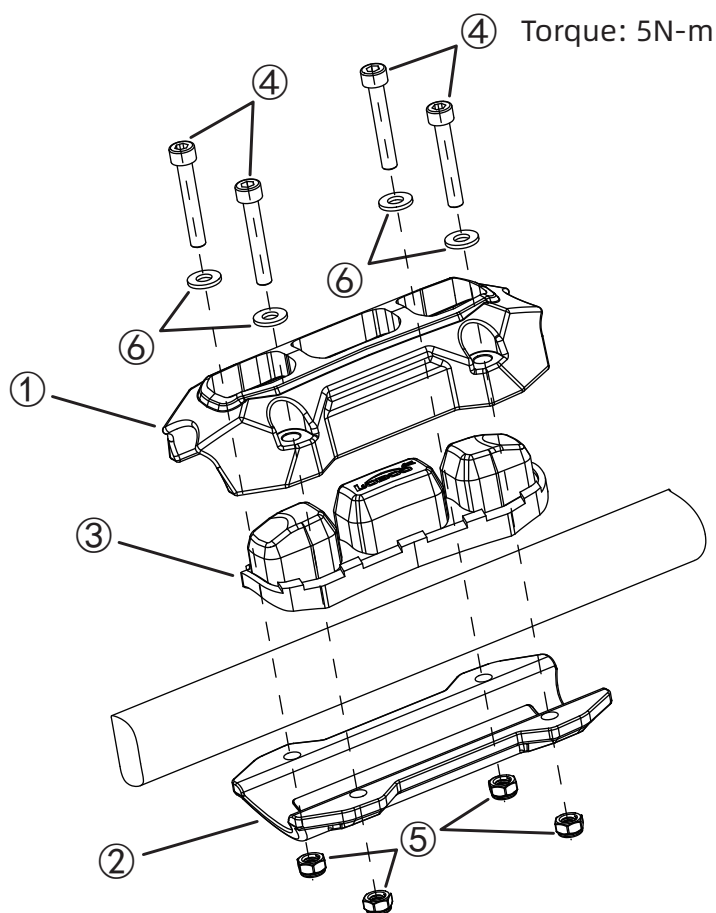


I . Accessories List

①  Quantity: 2 pieces Upper cover	②  Quantity: 2 pieces Lower cover	③  Quantity: 2 pieces Crash bar bumper	④  Quantity: 8 pieces M4x20 screw Torque: 5N-m	⑤  Quantity: 8 pieces M4 lock nut	⑥  Quantity: 8 pieces M4 flat gaskets
---	---	--	---	---	---

II . Installation Instructions



Notes: Please tighten the screws according to the torque shown in the accessories list (to prevent the screw head from slipping).

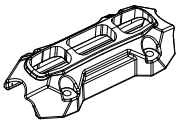
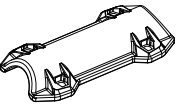
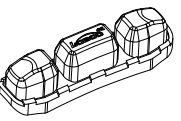
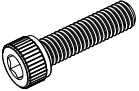

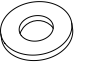
III. Applicable Pipe Diameter

Ø25mm

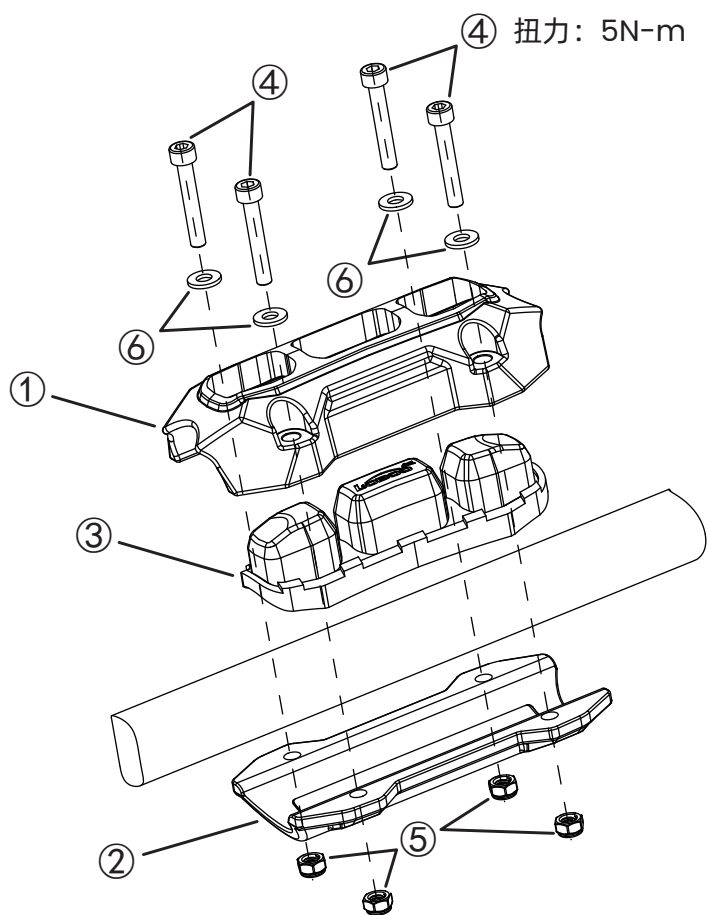


scan the code to watch
the installation video

一、配件表

<p>①</p>  <p>数量：2件</p> <p>护杠保护件上盖</p>	<p>②</p>  <p>数量：2件</p> <p>护杠保护件下盖</p>	<p>③</p>  <p>数量：2件</p> <p>护杠保护件橡胶件</p>	<p>④</p>  <p>数量：8件</p> <p>M4×20螺丝 扭力：5N·m</p>	<p>⑤</p>  <p>数量：8件</p> <p>M4防松螺母</p>	<p>⑥</p>  <p>数量：8件</p> <p>M4平垫</p>
--	--	---	--	---	---

二、安装说明



注意事项：请参照配件表格所示扭力紧固螺丝（以防螺丝头打滑）。

三、适用管径

Ø25mm



扫码观看安装说明视频