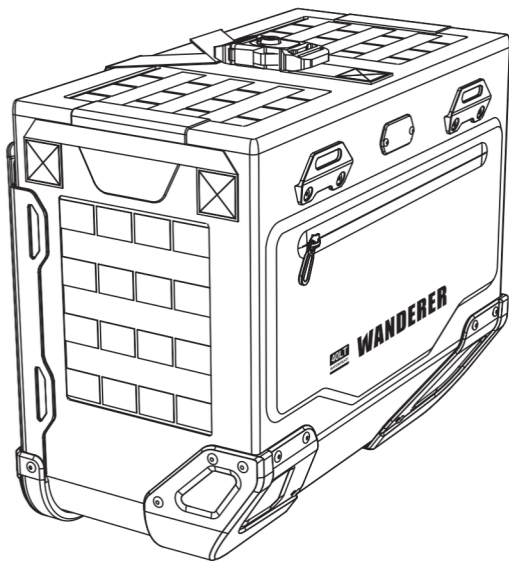




Side Bag User Manual

Model: BCB40TBK



Please read the manual and related after-sales service terms carefully before use. Incorrect installation and use can damage the product, significantly affect safe driving, and lose related free warranty services.



Scan QR Code To Watch
The Installation Video

Parameter

Model: BCB40TBK

Bag Material: TPU, 840D Nylon Fabric, Hypalon

Inner Bag Material: TPU, 840D Nylon Fabric












Side Bag Mounting Plate Material: Aluminum Alloy, Nylon, Silicone

Dimensions: Length 450mm/17.72in * Width 270mm/10.63in *

Height 400mm/15.75in

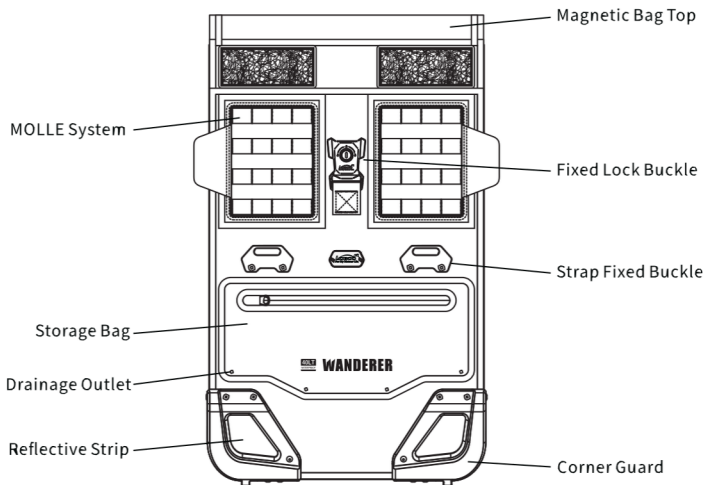
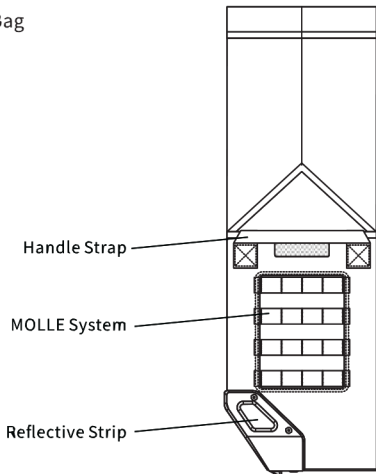
Compatible Side Racks: LOBOO PIKE TRACKER Series, LOBOO TIBET-B Series

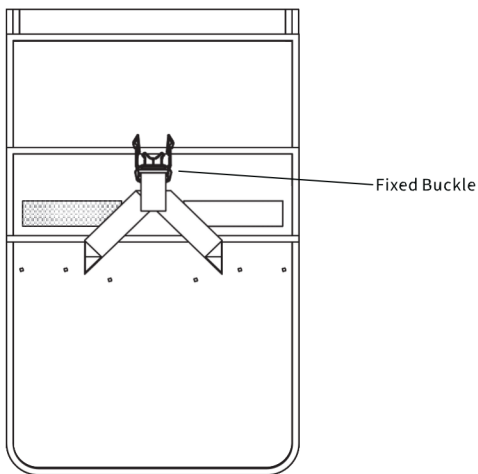
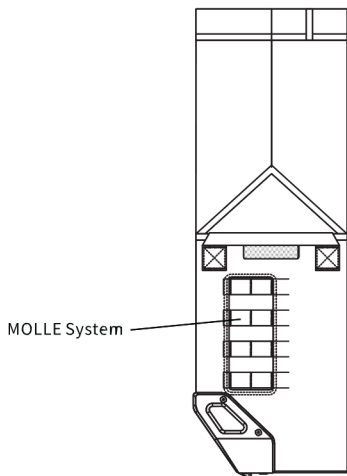
Accessories List

NO.	Name	Diagram	Quantity	Remarks
①	Side Bag		1pc	Left Side Bag
②	Multipurpose Waterproof Bag		1pc	
③	U-shaped PP Support Plate		1pc	
④	Side PP Support Plate		1pc	
⑤	Hex Wrench		1pc	
⑥	Short Tongue Lock Core		1pc	
⑦	32mm Tongue Lock Core		1pc	
⑧	Lock Core C-clip		2pcs	
⑨	Key		1pc	
⑩	Decorative Cover		1pc	
⑪	LOBOO Quick Release Strap		2pcs	

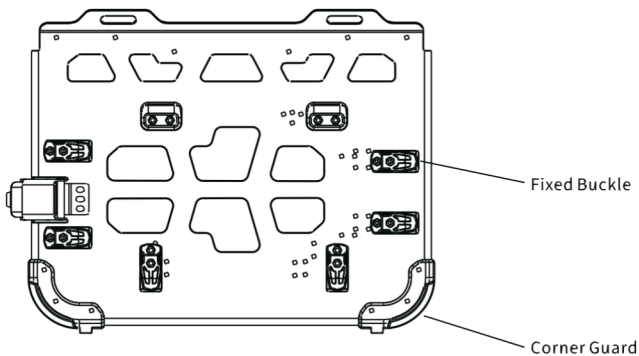
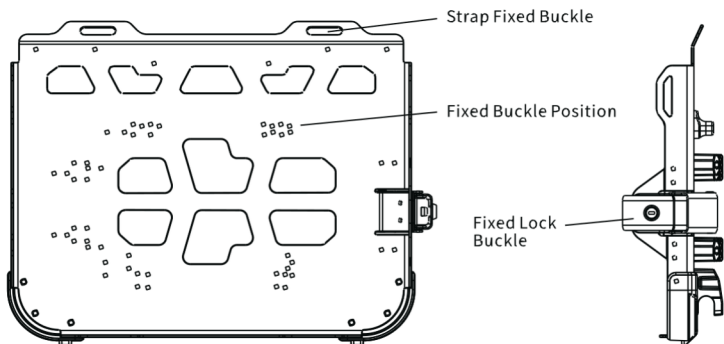
Product Details

Side Bag

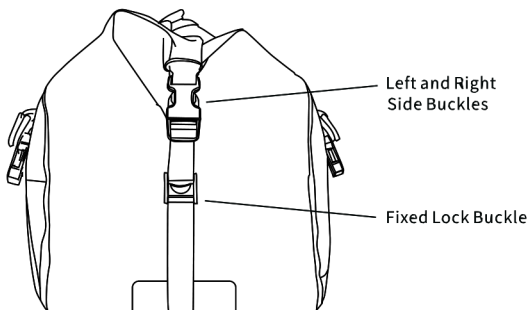
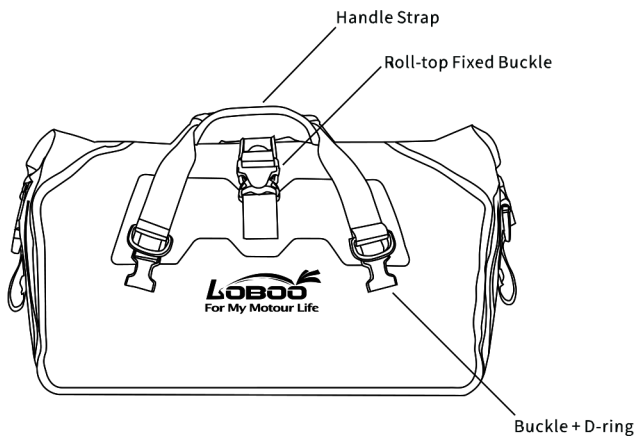




Side Bag Mounting Plate

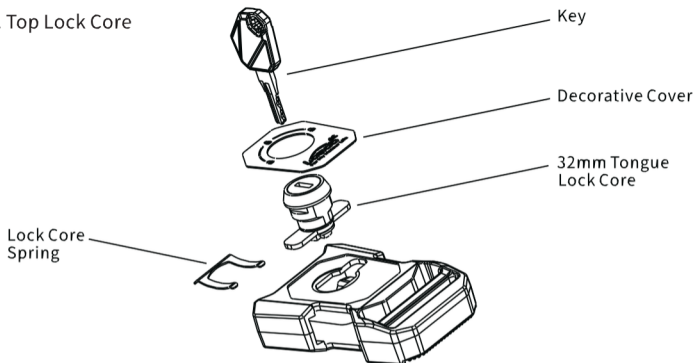


Multipurpose Waterproof Bag



Lock Core Installation

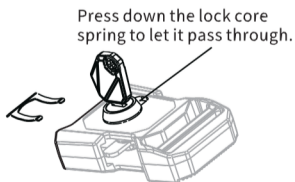
1. Top Lock Core



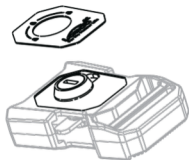
Note: Pay attention to the direction of the lock core



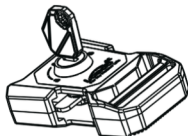
1. Install the 32mm tongue lock core into the fixed lock buckle.



2. Insert the lock core spring to fix the lock core. (Pay attention to the direction of the spring).

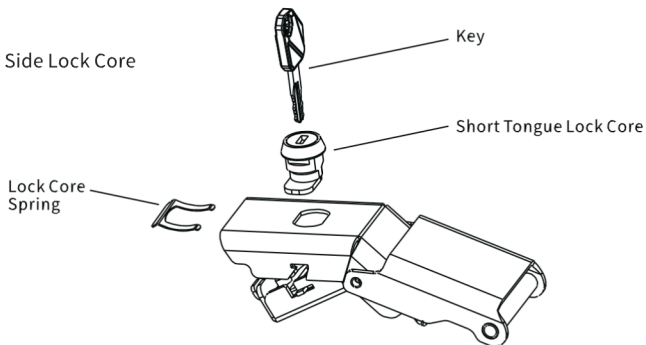


3. Pull out the lock core key, tear off the adhesive sticker at the bottom of the Decorative Cover, and stick the buckle nameplate on the fixed lock buckle.

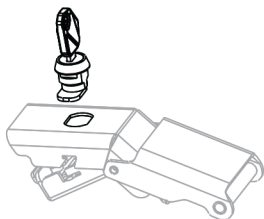


4. Installation is complete.

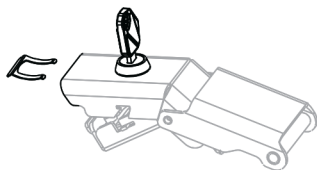
2. Side Lock Core



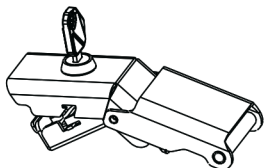
Note: Pay attention to the direction of the lock core



1. Install the short tongue lock core into the lock buckle.



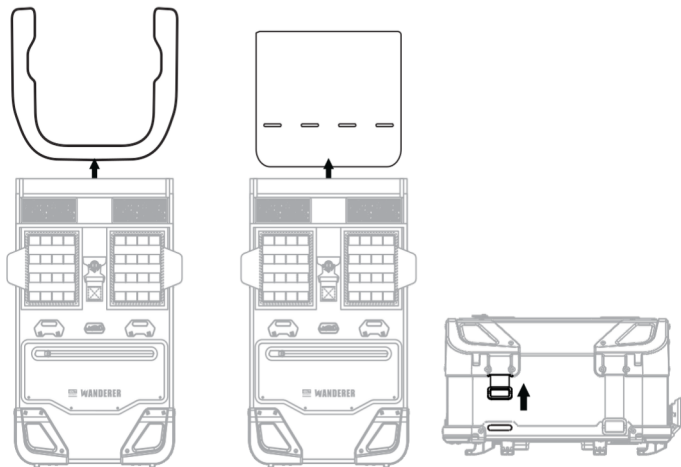
2. Insert the lock core spring to fix the lock core. (Pay attention to the direction of the spring).



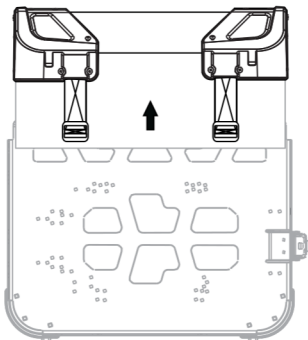
3. Installation is complete.

Installation 1

1. Remove the U-shaped PP support plate and the side PP support plate, and remove the bottom fixed buckle.



2. Lift the entire bag body upwards, adjust the position of the corresponding fixed point according to the determined side frame series.

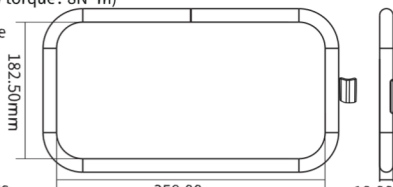


Measure the inner diameter length and height of the motorcycle side frame, compare with the figure below, and determine which series the motorcycle side rack it is:

(1) LOBOO PIKE TRACKER Series P45+P38 Installation Position

(Note: LOBOO PIKE TRACKER series P45+P38 The initial fixed point of the side bag can be installed directly. Screw torque: $8\text{N}\cdot\text{m}$)

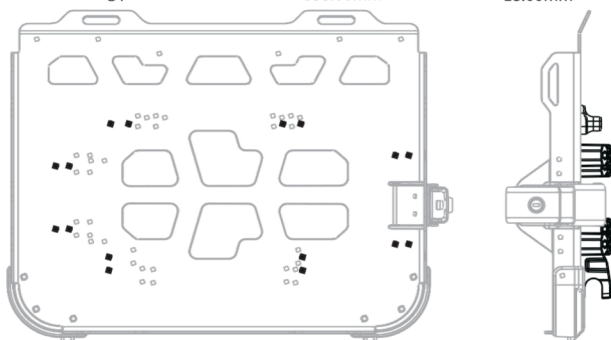
Left side frame: P45 size



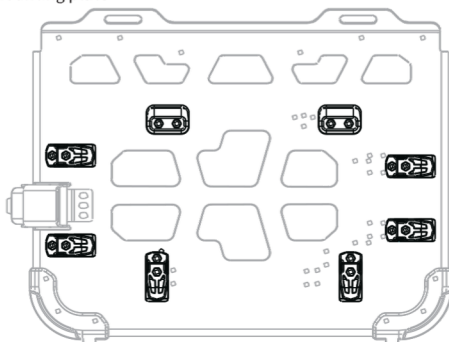
Inside of mounting plate

358.00mm

18.00mm



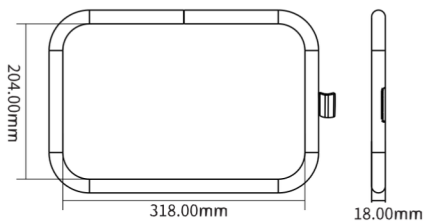
Outside of mounting plate



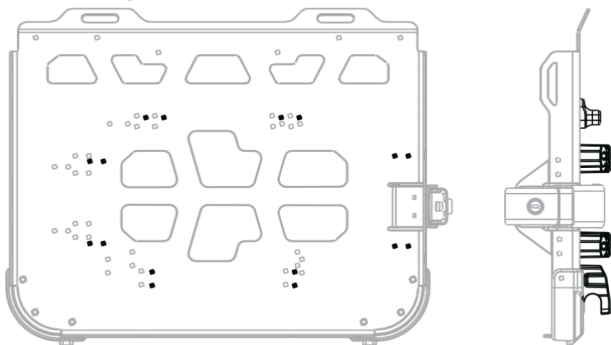
(2) LOBOO PIKE TRACKER series P35+P30 Installation Position

(Note: Screw torque: $8N \cdot m$)

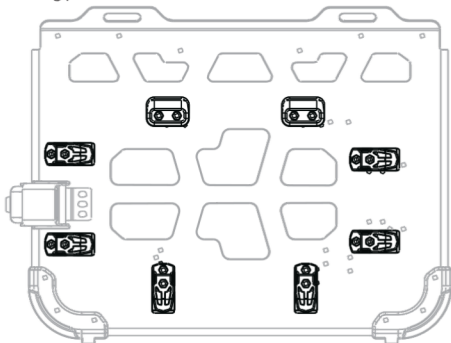
Left side frame: P35 size



Inside of mounting plate



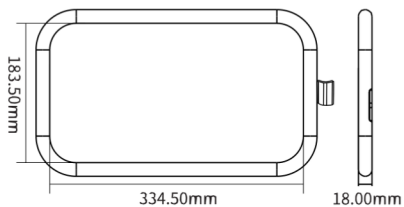
Outside of mounting plate



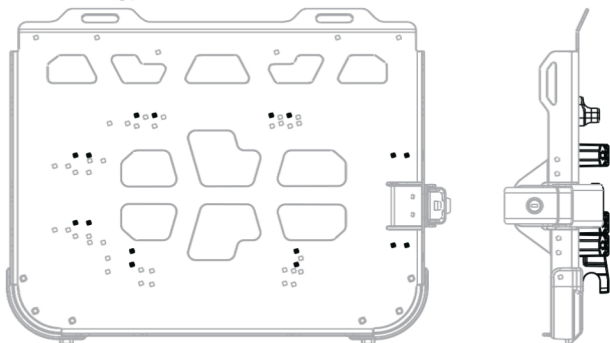
(3) LOBOO TIBET-B series model TB35+TB28 Installation Position

(Note: Screw torque: $8\text{N}\cdot\text{m}$)

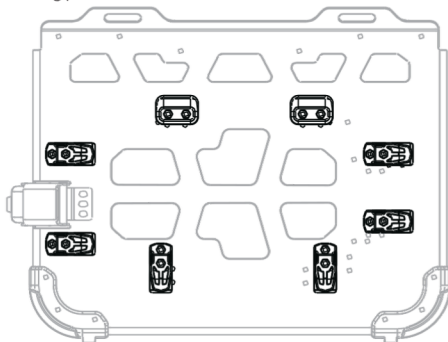
Left side frame: TB35 size



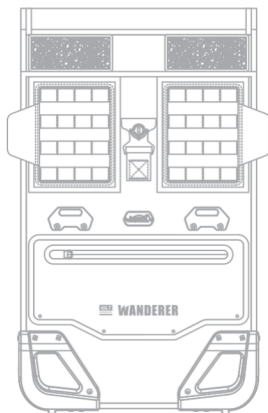
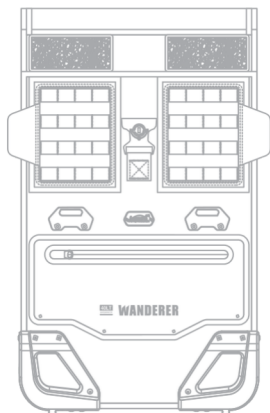
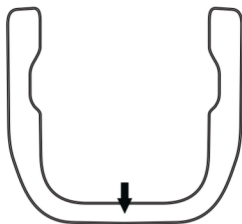
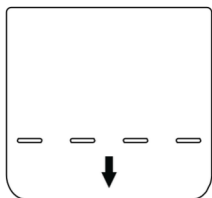
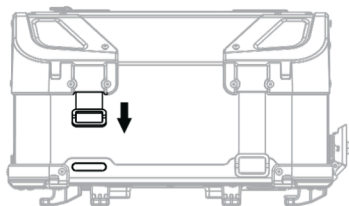
Inside of mounting plate



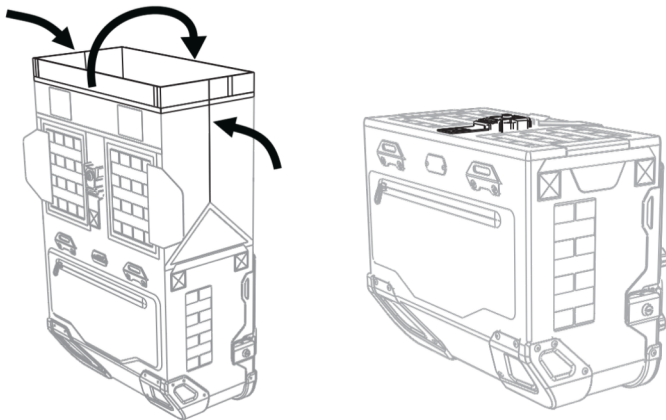
Outside of mounting plate



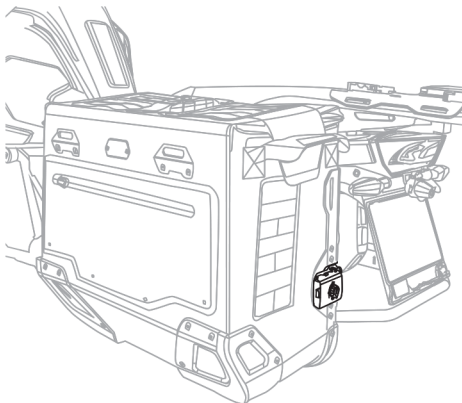
3. Fix the bottom fixed buckle, install the side PP support plate and the U-shaped PP support plate.



4. Fold the sides of the bag inward, bend the bag once and glue the Velcro downwards, and fasten the top buckle.



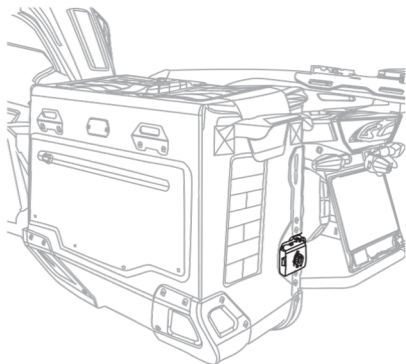
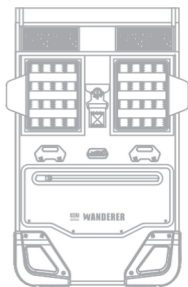
5. Fasten to the motorcycle side rack, buckle the side fixed lock buckle.



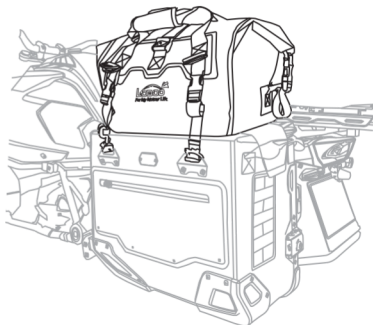
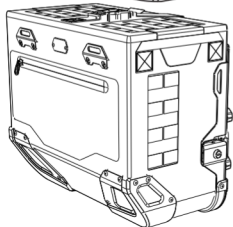
Installation 2

Multipurpose Waterproof Bag

1. Put the waterproof bag inside the motorcycle waterproof side bag.



2. Fix the waterproof bag on the motorcycle waterproof side bag with a quick-release strap.



Precautions

1. After each use, wipe off the stains on the surface of the side bag with a soft wet towel and soap (do not use bleach, fabric softener, or other acidic or alkaline cleaners). It cannot be machine washed, ironed, dry cleaned, or dried in any form. Let it dry naturally, do not expose it to the sun for a long time.
2. When not in use for a long time, the side bag should be placed in a dry and cool environment to avoid mold damage to the side bag; and regularly clean the dust and dirt on the surface of the side bag to extend its life.
3. Before going out, check that all buckles are in the locked state to avoid danger caused by the bag body falling off or opening during driving.
4. Before going out, check the handle and quick-release strap of the side bag to avoid aging affecting normal use. When using in harsh outdoor environments, do not use insect repellent on the surface of the side bag.
5. When using, please avoid sharp objects scratching the side bag fabric to avoid affecting the waterproof performance.

Warranty Card



Please read this after-sales service guarantee card carefully. If you cannot accept it, please contact the dealer for return and exchange in time. Installation and use means acceptance of this after-sales service term.

After-sales Service Terms

1. One-year free warranty period, this product can enjoy free repair service within one year from the date of sale if there are quality problems under normal circumstances.
2. Limited warranty: After the one-year warranty period expires, LOBOO will provide paid warranty service, the cost is based on the actual replacement material cost, and no labor cost is charged separately.

Free warranty service does not include the following

1. No warranty card or cannot provide valid purchase proof.
2. Improper installation, use, man-made or accidental damage, self-disassembly, self-modification and repair, etc.

Return and Exchange Information

Platform ID: _____ Order Number: _____

Contact Name: _____ Contact Phone: _____

Return Address: _____

Discription

Please keep this card properly and send it back with the product (copy is valid)